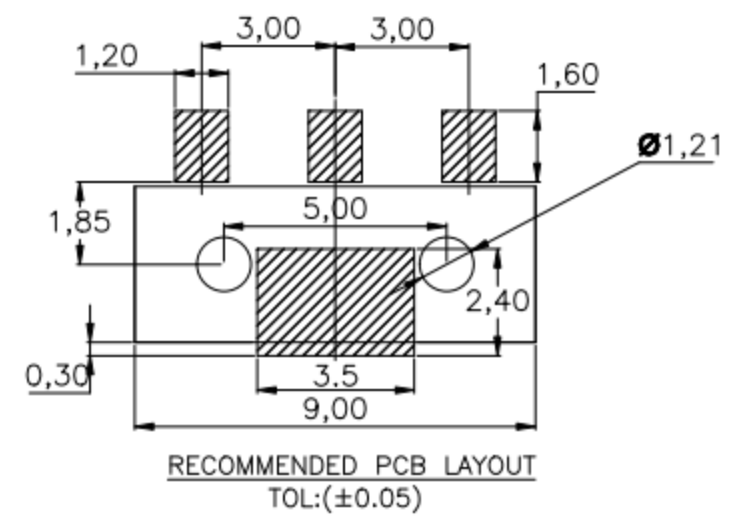
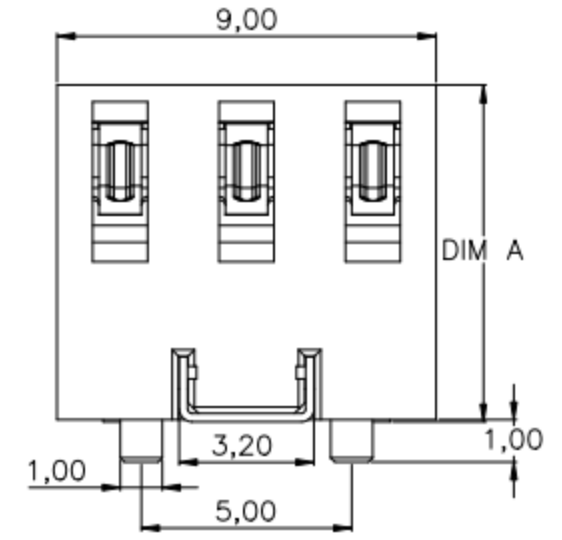
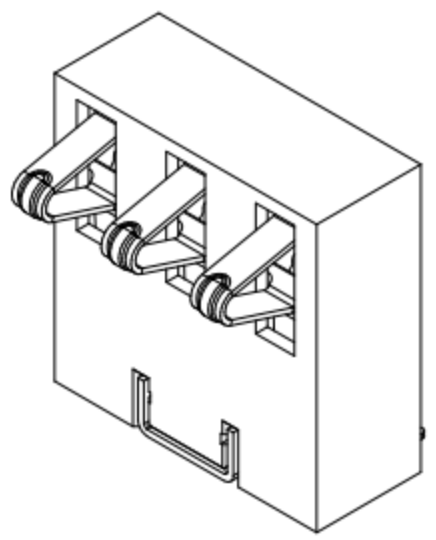
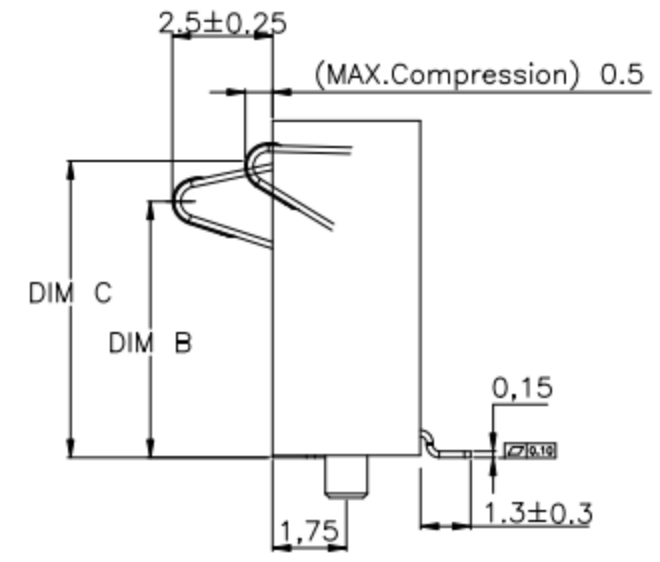
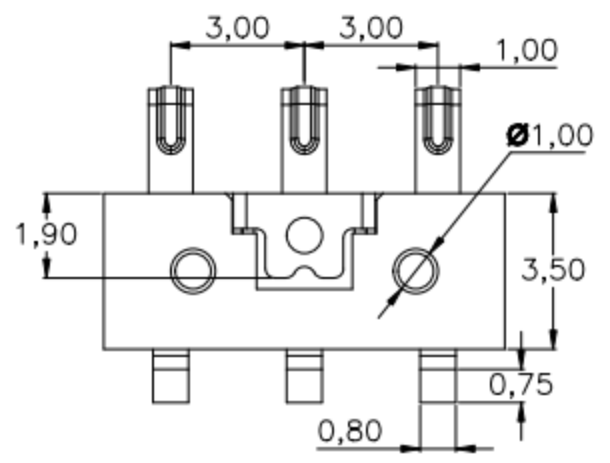


REV.	ECN NO.	DESCRIPTION	DESIGN	DATE
A		INITIAL	Kai	2018.03.29



DIM A	DIM B	DIM C
8.0 $\pm 0.15$	5.9 $\pm 0.3$	6.9 $\pm 0.3$
9.0 $\pm 0.15$	6.9 $\pm 0.3$	7.9 $\pm 0.3$
10.0 $\pm 0.15$	7.9 $\pm 0.3$	8.9 $\pm 0.3$



性能:  
 额定电流: 3.0A  
 额定电压: 24V  
 耐电压: 500V  
 接触电阻: 30m $\Omega$  MAX  
 绝缘电阻: 500M $\Omega$   
 工作温度: -40 $^{\circ}$ C ~ +85 $^{\circ}$ C  
 塑件(材质): LCP, 耐高温260 $^{\circ}$ C  
 接触点(材质): 铜合金, 触点镀金3U'

ITEM	PART NAME	Q'TY	MATERTAL	DESCRIPTION	REMARK
②	HOUSING	1	LCP		BLACK
①	CONTACT A	2	PHOSPHOR BRONZE 0.20T	Au PLATED	

UNLESS OTHERWISE SPECIFIED TOLERANCES

DECIMALS:		ANGLES:		DWG NO.	PART NAME:
DIM	TOL	DIM	TOL	DESIGN:	PART NO.
X.	$\pm 0.50$	X.	$\pm 2^{\circ}$	CHECK:	REV. A
X.X	$\pm 0.30$	X.X	$\pm 1^{\circ}$	APPROVED	UNIT: mm
X.XX	$\pm 0.20$	X.XX			SHEET: 1/1
X.XXX	$\pm 0.10$	X.XXX			

**东莞市高迪电子有限公司**